

1

**2ND FL PLAN**

1 : 150

**GENERAL NOTES**

DRAWN BY

JOHANNA SONOKPON

PROJECT NAME

CONCRETE  
ASSIGNMENT

SHEET NAME

2ND FL PLAN

PROJECT NUMBER

0001

CHECKED BY

H.K.

DATE

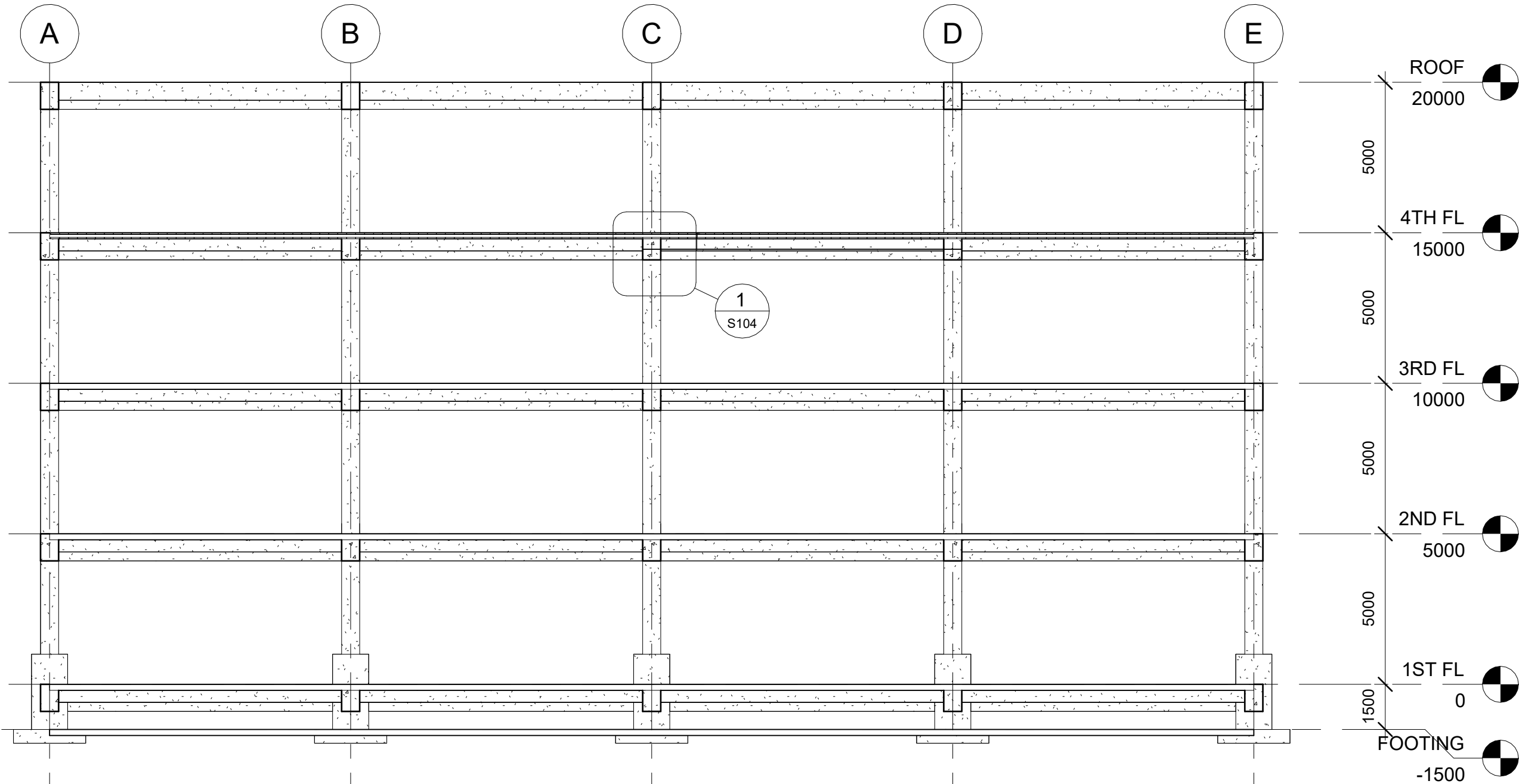
09/30/25

SCALE

1 : 150

**S101**

GENERAL NOTES



DRAWN BY  
JOHANNA SONOKPON

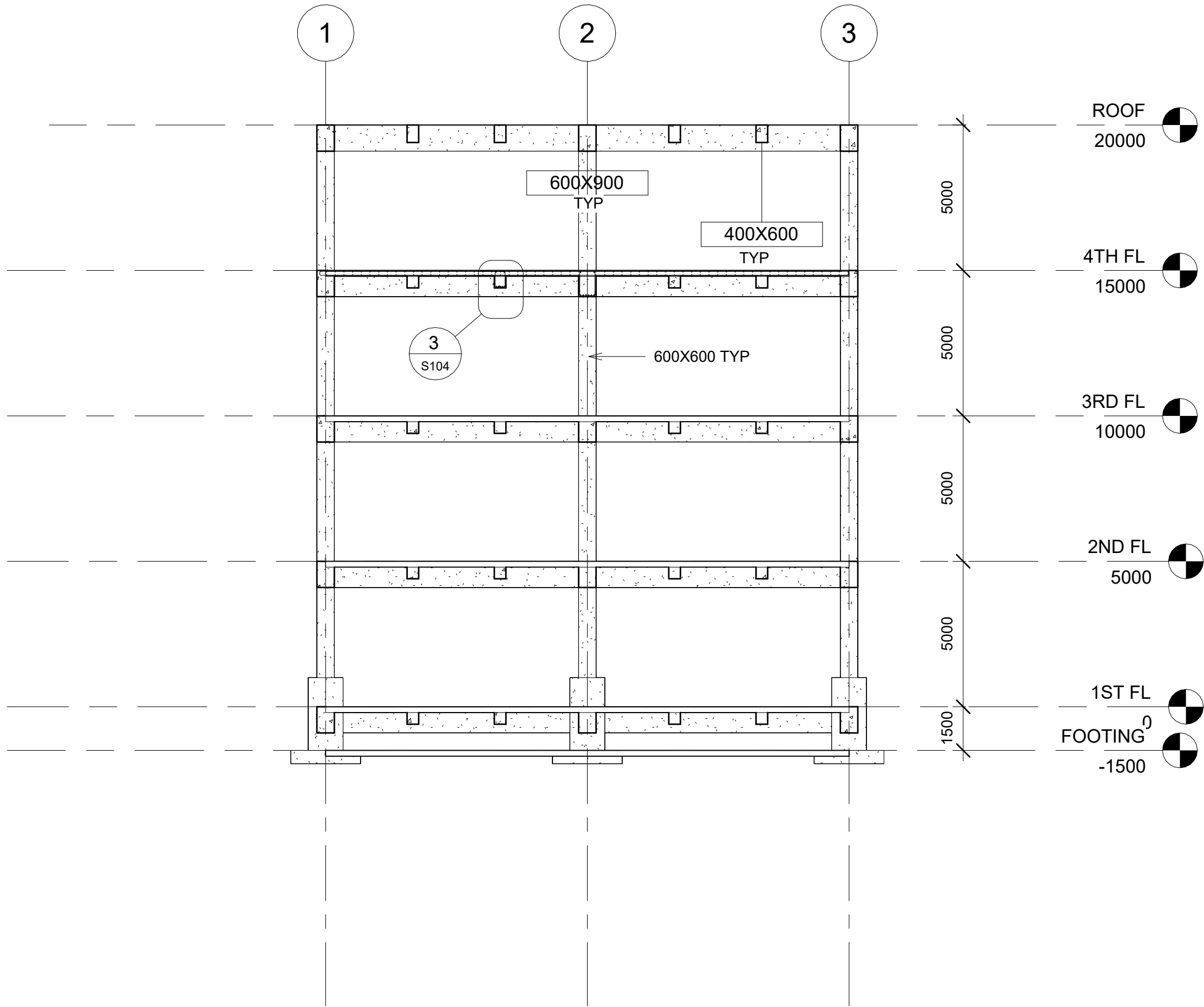
PROJECT NAME  
CONCRETE  
ASSIGNMENT

SHEET NAME  
LONGITUDINAL  
SECTION

PROJECT NUMBER  
0001  
CHECKED BY  
H.K.  
DATE  
09/30/25  
SCALE  
1 : 150

S102

GENERAL NOTES



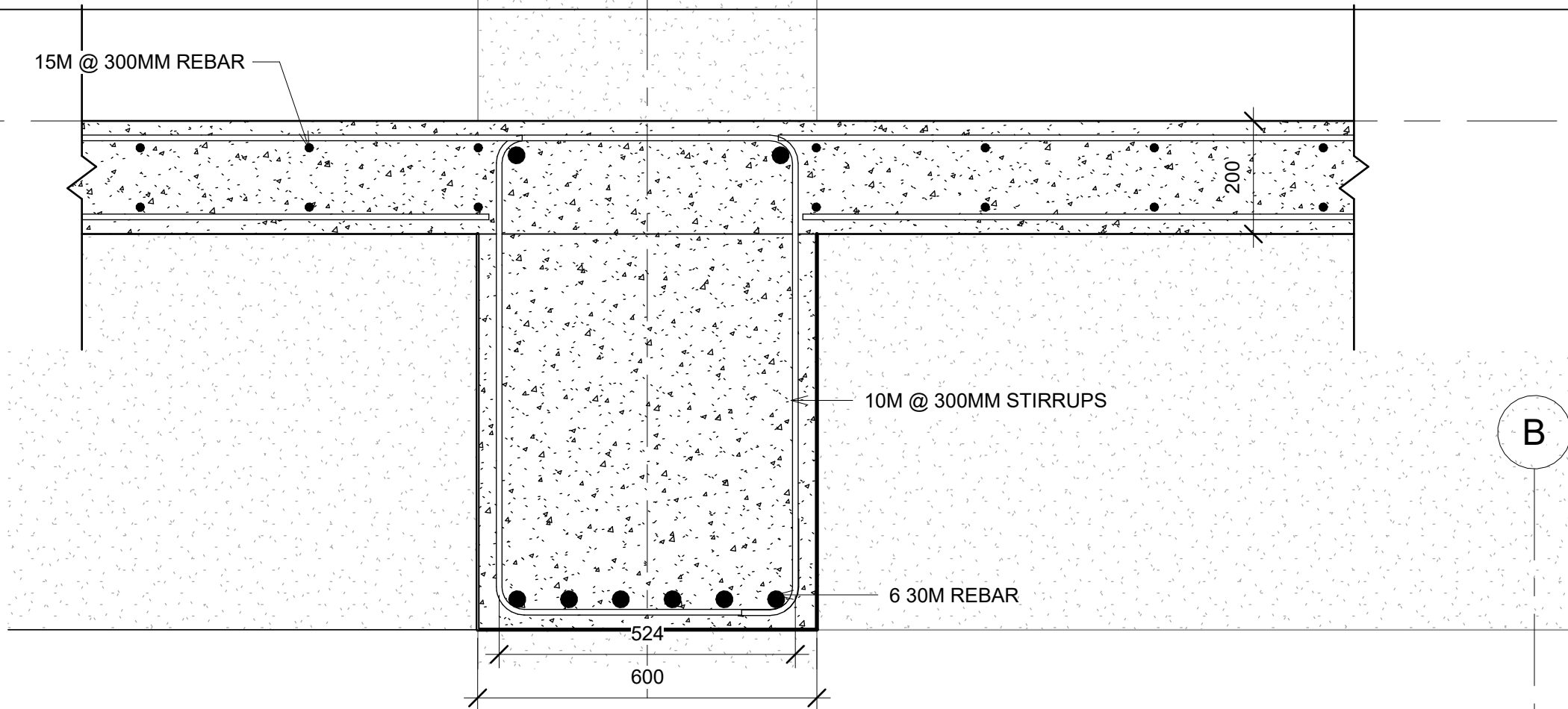
DRAWN BY  
JOHANNA SONOKPON

PROJECT NAME  
CONCRETE  
ASSIGNMENT

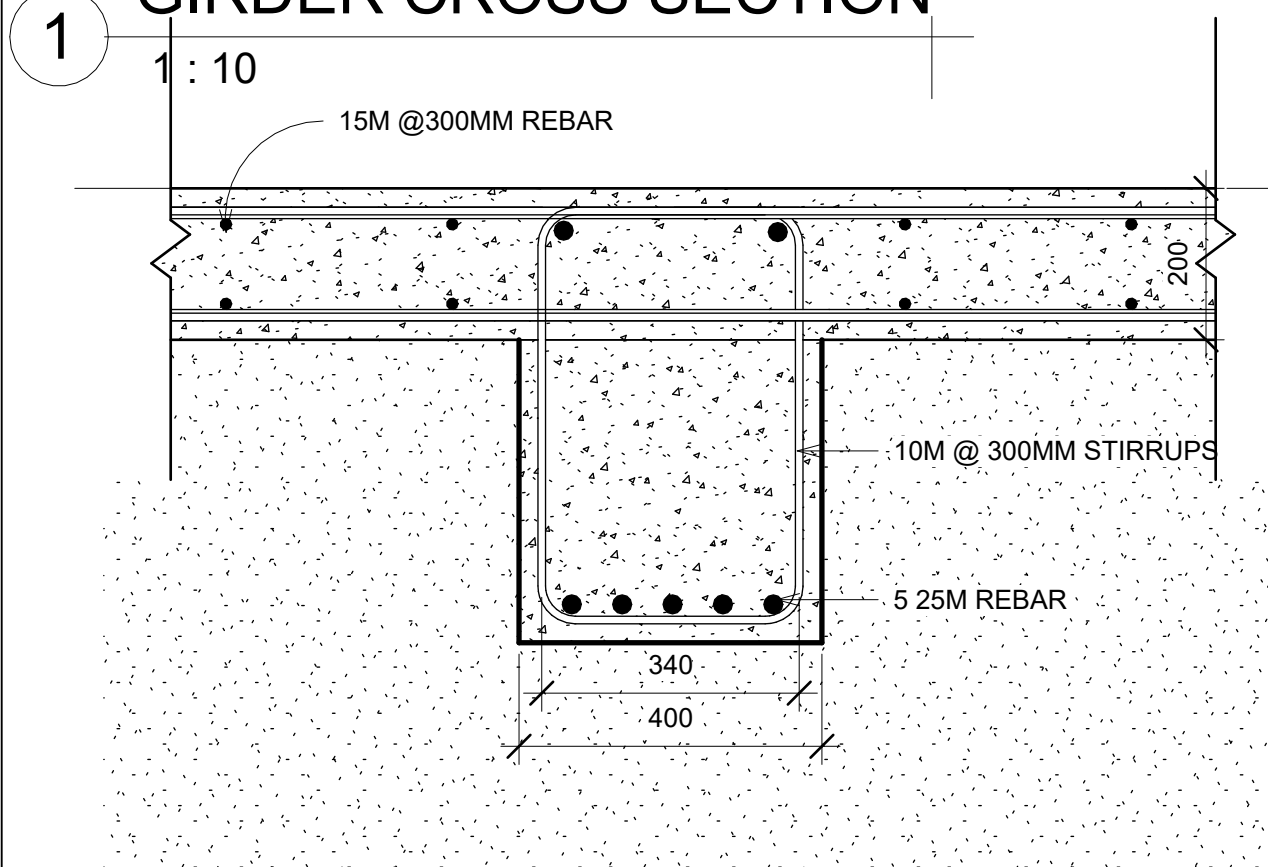
SHEET NAME  
LATITUDINAL SECTION

PROJECT NUMBER  
0001  
CHECKED BY  
H.K.  
DATE  
09/30/25  
SCALE  
1 : 150

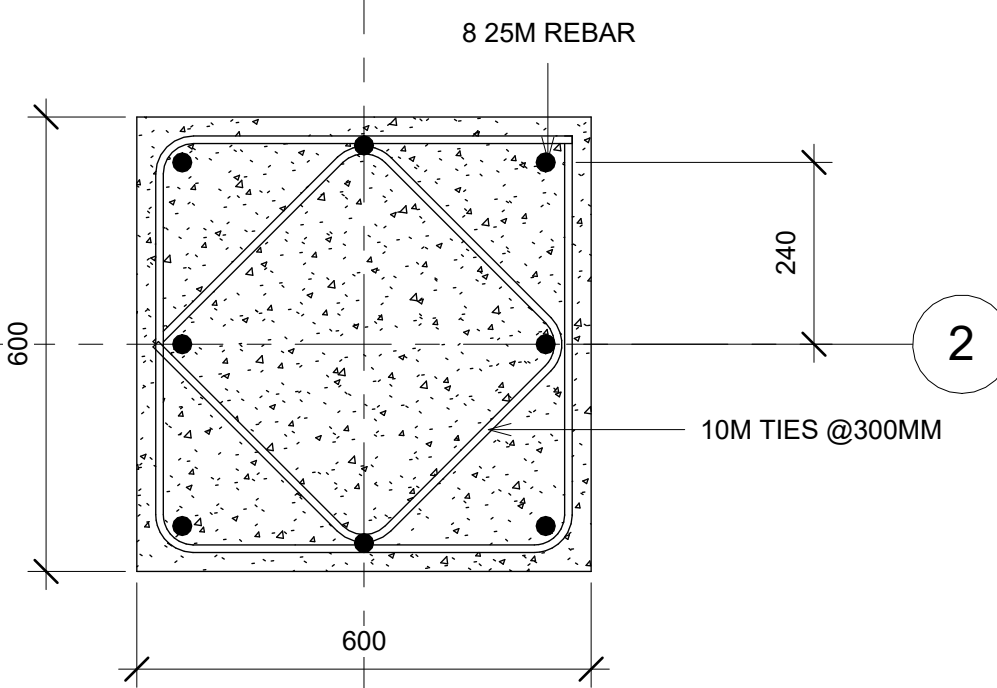
S103



**GIRDER CROSS SECTION**



**JOIST CROSS SECTION**



**COLUMN CROSS SECTION**

**GENERAL NOTES**

DRAWN BY  
**JOHANNA SONOKPON**

PROJECT NAME  
**CONCRETE ASSIGNMENT**

SHEET NAME  
**DETAILS**

PROJECT NUMBER  
0001  
CHECKED BY  
H.K.  
DATE  
09/30/25  
SCALE  
1:10

**S104**